

## SURVEY OF ADVANCE TECHNIQUE FOR BOOST CONVERTER FED INDUCTION MOTOR

Mukul Gupta\*

Prof. C. Veeresh\*\*

Prof. R.P. Kumawat\*\*

*Abstract*— The voltage source inverter (VSI) systems are used in a wide selection of relevance as a front-end power condition unit in electric drives, uninterruptible power supplies, high voltage DC transmission, Active power filters, reactive power compensators in power systems, Electric vehicles, alternating energy systems and Industrial processes. The inverters understand dc-to-ac power exchange and in the mainly usually used voltage source inverter construction. The dc-input voltage can be obtain from a diode rectifier or from one more dc source such as a battery [1]. A representative voltage source inverter system consists of rectifier, DC-link, inverter all along with associated control circuit and the load. for the most part modern voltage source inverters are controlled with a wide multiplicity of pulse width modulation scheme, to obtain output ac voltages of the desired magnitude and frequency shaped as personally as probable to a sine wave. In the literature [2] to the implementation of boost converter fed induction motor is not presented. We proposed work the simulation and implementation consequence of boost converter fed induction motor are accessible.

*Keywords*— Induction motor, FPGA simulation, model verification, numerical integration.

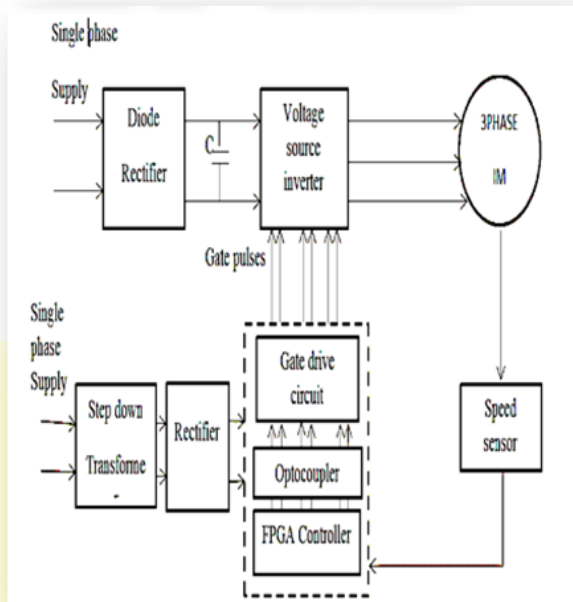
\* Mtech Scholar, Power Electronics, MIT Mandsaur-458001

\*\* Asst. Professor Department of EE, MIT Mandsaur-458001

## I. INTRODUCTION

The spooler drive problem is prepared and the data are particular by means of industry desires for a precise product line. The formulation makes use of the theoretical equations overriding field oriented control and incorporate speed and existing feedback. A exhaustive schematic casing a six pulse inverter fed from a 230V dc source, the induction motor model, customer distinct blocks to make sure field orientation next to with speed and existing feedback loops are formed in SIMULINK. These

simulation results casing the full history of the spooler operation results are obtainable graphically. These consequence indicate the suitability and satisfactory performance of the vector controlled drive system. Many researcher work on for just beginning a innovative recreation often involve the collective efforts of simulation professional and domain expert. In a quantity of cases the narrative contains particulars of math replica of system Components that are applicant for inclusion in a developing replication. The procedure of select an suitable math replica and imitation technique can nearby a number of problems that possibly will, if not handle cautiously, endanger the validity of the consequential replication. An exercise is describe in which the authors were ask to investigate and compare available model of a squirrel-cage initiation motor with a analysis to implementation on FPGA processors. The issue associated to using FPGAs are not address here, except it was felt that the experience of evaluate the applicant models demonstrates a lot of of the challenge that come up in generate accurate simulation. The authors are disturbed that the accessibility of powerful simulation software products has led to an technique to reproduction in a lot of engineering BS programs in which students are expectant to generate simulation by select components from toolboxes and libraries with insufficient critical examination of the hidden models and their space of appropriateness.



These items give an incredible method for rapidly building up a valuation for the way of reproduction and its potential worth, yet in unpractised hands can without much of a stretch create persuading yet off base results. It is not the creators' goal to condemn the configuration of these items but instead to bring up a portion of the issues that should be considered if their potential for supporting cost-effective re-enactment is to be completely figured it out.

#### Objective

Model the system, with the purpose of judgment out the cause of the failures.

Voltage measurements at the motor terminal, with the purpose of validate and verify the theoretical revise.

INTEND AND PERFORMANCE OF A DEPENDABLE TECHNICAL RESOLUTION.

## II. RELATED WORK

Anna Philo Antony in at al[1] The spooler drive problem is formulate and the data are particular with production requirements for a precise product line. The formulation creates use of the theoretical equations overriding meadow oriented control and includes speed and in progress feedback. A complete schematic cover a six pulse inverter fed from a 230V dc source, the induction motor model, user distinct blocks to make certain field orientation all along with speed

and existing feedback loops are created in SIMULINK. These simulation consequence covering the complete history of the spooler procedure consequence are obtainable graphically. These results designate the appropriateness and acceptable performance of the vector inhibited drive system.

Sardis Azongha in at al[2] This paper presents a dynamic control technique for this type of inverter for induction motor drive relevance. replication using an combination of PSIM into MATLAB/Simulink prove the validity of the proposed control technique.

David Wilson Freescale in at al[3] The key to its adaptability is a flexible PWM section with a number of distinctive features collective with a all-purpose purpose, low-cost CPU core. The device as well has a number of other integrated features that were not converse, such as a regulator timer, a bidirectional power-on reset, a low-voltage inhibit section that produce a bidirectional reset, a reset status register that recognize the source of the most recent reset, and an asynchronous serial communications interface, immediately to name a few. put in to that a full group of growth tools such as C compilers, assemblers, and development hardware, which are obtainable today.

Charlie Anderson in at al[4]presented The Cage, a 6-DoF controller that give a clear control method alongside dissimilar levels of difficulty feedback. Where previous devices have necessary momentous expertise to use or the map of 2D input to 3D control, The Cage provide a straightforward direct-mapping method for control. The Cage as well build upon existing feedback mechanisms, as long as direction-specific feedback to support with piloting.

We have construct a proof-of-concept device and exhaustive its design here, and are keen to behaviour a wider looking at of our device use.

R Uthra in at al[5] proposed that the trained neural network recompense for the drift in different stator current happening due to a variety of faults and restore back the closest probable original value of stator in progress. additional this can be absolute by plummeting the cumulative root mean square error by make a decision a dissimilar algorithm or fixed weight network. By apply the over said networks, presentation of neural network for sensor drift compensate can be other enhanced.

Troy McDaniel in at al[6] The proposed feedback design, explain next, exploit the aforementioned motor configurations for faultless incorporation amongst instruction and

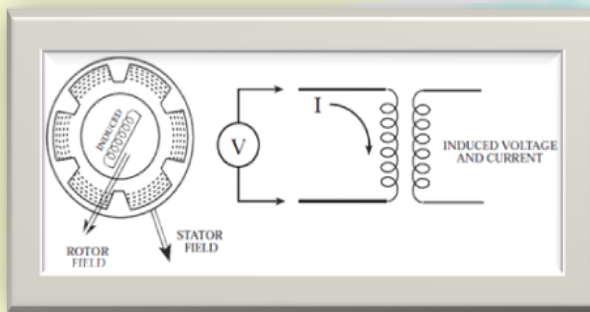
feedback. The relation angles among limbs are extract in real-time during use of on-body inertial measurement units, described.

### III. PROPOSED METHODOLOGY

The disappointment in the twisting detachment of two affectation engines uncovered the presence of engine terminals over voltages. The conceivable reasons for these over voltages were identified with the long links, consolidating capacitances and inductances, which together with alternate impedances of the framework could produce resonances, which may be energized by the inverter quick substitutions. This paper displayed a learn about the most well-known medium voltage mechanical variable velocity drives. The difficulties of line and engine sides were displayed. Diverse topologies and their vantages and points of interest were examined. Exploratory estimations were performed in a 3/5 level NPC medium voltage high power drive and they demonstrate the open and shut circle execution results and the operation with sine channel. Moreover, the activity of a DC-join adjusting control was introduced. This adjusting control may be required in vector controlled drives because of the quick element required for some particular applications. The 3/5 level NPC is, among others, a topology with a decent connection between the quantity of force segments, dependability,

effectiveness, motor waveform quality and element execution. In this paper speed control of an Induction Motor utilizing Indirect Field Oriented Control (IFOC) strategy proposed. In this work the complete proposed system of field arranged controlled Induction Motor is depict and. For studies a 200 HP(150kw ) squirrel confine sort IM has been considered. The similar investigation of IFOC and traditional V/f control of IM is done in this work. The IFOC incitement motor drive includes decoupling of the stator current segments which creates torque and flux. It is seen that it gives smooth velocity control, can produce full torque at zero rate and prepared to do quick speeding up and deceleration contrasted with V/f control. Likewise we investigation The voltage source inverter (VSI) frameworks are use in a broad grouping of significance as a front-end power-molding unit in electric drives, uninterruptible force procurements, high voltage DC transmission, Active force channels, unconsidered force compensators in force frameworks, Electric vehicles, substituting vitality frameworks and business forms. The inverters comprehend dc-to air conditioning power transformation and in the generally as often as possible utilized voltage source inverter arrangement. The dc-info voltage can be get from a diode rectifier or

from another dc source, for example, a battery. A property voltage source inverter framework comprises of rectifier, DC-link, inverter the length of with associated control circuit and the heap. for the most part contemporary voltage source inverters are restrained utilizing a wide choice of heartbeat width accent plans, to discover yield air conditioning voltages of the required greatness and recurrence molded as personally as likely to a sine wave . In the story to, the execution of support converter encouraged prompting motor is not exhibited. help converter nourished affectation motor are introduced.



Field-situated control of prompting: MOTOR Field-arranged control (FOC) is practically equivalent to the vitality trade process in a DC machine, where the field flux is dependably in quadrature with the armature flux, permitting free variety of flux and torque. Accordingly, a DC machinelike execution can be achieved in the AC machine through the Field-Oriented Control (FOC) system [4]. This can be accomplished by adjusting the stage current on the stator sensing so as to regard the rotor flux or evaluating the field edge of the rotor. The displaying of actuation motor utilizing FOC comprises of the accompanying steps: Induction motor demonstrating in synchronous reference outline, Reference current era and Pulse width tweak for VSI.

Microchip based controllers are more conservative, yet frequently confront troubles in managing control frameworks that require high preparing and include/yield taking care of rates. As of late, Field Programmable Gate Arrays have attracted much consideration because of its short outline cycle, minimal effort and high adaptability as far as programmability. The Field Programmable Gate Arrays (FPGAs) offer critical preferences over chip and DSPs for elite, low volume applications, especially for applications that can abuse altered piece widths and gigantic guideline level parallelism [2]. Refined control calculations get to be less demanding to be

executed with FPGAs. One of the crucial favorable position of FPGA over DSP or different chip is the flexibility of parallelism. Since distinctive parts of FPGA can be designed to perform

free capacities at the same time, its execution is simply not attached to clock rate as in DSPs [3]. The imaginative advancement of FPGAs whose design could be re-modified a boundless number of times impelled the development of another field in which various equipment calculations could execute, thusly, on single gadget, pretty much the same number of diverse programming calculations can keep running on a traditional processor [2]. FPGAs are modified utilizing Very High Speed Integrated Circuit equipment portrayal dialect (VHDL) and a download link joined with a host PC. The FPGAs can be customized while they run, in light of the fact that they can be reinvented in the request of microseconds. This brief span implies that the framework won't even sense that the chip was reconstructed. The FPGA gives a minimal effort control to affectation motor by numerous control system. The shut circle V/f controller for the three stage actuation motor utilizing FPGA strategy is displayed. Capacitor is utilized to evacuate the swells in the yield of the rectifier. A PWM based VSI is utilized to change over the DC join voltage to the required AC voltages and recurrence. The PWM inverter has six IGBT switches that are controlled keeping in mind the end goal to create an AC yield from the DC info. In the present plan, the SPWM heartbeats are created utilizing a product program coded with VHDL and downloaded in FPGA unit to deliver entryway signals for inverter IGBT switches. This sign originating from the FPGA controller can't sustain straightforwardly to the IGBT entryway pin because of the shortcoming of its voltage (3.3v). The voltage moving from 3.3V to 12V requires a door driver circuit. The voltage level moved heartbeats will be encouraged to the three stage inverter to change over the DC supply to a three stage supply which is thusly sustained to the instigation motor. The variety in the obligation cycle and the quantity of SPWM heartbeats decides the adequacy and recurrence of the inverter. This can be accomplished by fluctuating either the plentifulness or recurrence of the bearer signal (triangular wave). A model for the controller was composed utilizing VHDL. In time, a greatest of three switches will be on, either one upper and two lower switches, or two upper and one lower switch. At the point when switch turns on, current streams

from the DC transport to the motor winding. Since the motor windings are profoundly inductive in nature, they hold electric vitality as present. This present should be dispersed while switches are off. Diodes associated over the switches give a way for the current to disperse when the switches are off. These diodes are likewise called freewheeling diodes. Upper and lower switches of the same appendage ought not be exchanged on in the meantime. This will keep the DC transport supply from being shorted. A dead time is given between exchanging off the upper switch and exchanging on the lower switch and the other way around. Dead time of 2.5 microseconds is coded in FPGA program. Speed sensors are utilized to discover pace of the rotor. This sensor is utilized to give speed input to the FPGA controller. The FPGA controller gets the genuine velocity of three stage incitement motor from the pace sensor and set rate from console. At that point controller looks at the real speed got from sensor and coveted (set worth). The contrast between them is taken as mistake and this quality is put away in PWM obligation cycle register. At that point with comparing estimation of mistake, the tweaking signal created. The produced signal contrasted and transporter signal, which brings about the PWM signal. These created PWM signs are connected to inverter thus controls the pace taking into account variable voltage and variable recurrence strategy.

**Voltage Source Inverter:** The VSI inverter needs to create almost sinusoidal current which it can be controlled. The voltage and current are controlled with 120o distinction in every stage. The operations three-stage inverter can be characterized in eight modes [5] which indicate status of every switch in every operations mode. From operations mode, the current can't stream to stack in mode 0 and 7 while current can stream to stack in mode 1 to 6. At that point, it can draw two equal circuits for operations mode which mode 1 operation is the same as of those 2 and 4 and mode 3 is the same as 5 and 6. Whether amid correction or reversal, sinusoidal current forming can be diminished to a voltage control in which the controlled voltage source is joined with an air conditioner source through an inductance. In the inverter operation, the important stage legshort is normally acknowledged through hostile to parallel diodes in the three-stage span. In like manner, the same door beats as in the routine VSI can be connected.

Then again, the switch on the dc join should effectively work [6].



## IV. CONCLUSION

In this work, we ponder instance of destructive symphonious overvoltage's in 13.8 kV fan engine drives encouraged trough long links in an underground mine has been displayed. The conceivable reasons for such overvoltage's have been concentrated hypothetically and affirmed with estimations, inferring that reverberation constructed by capacitance of long links and the engine impedance is the prevailing reason. Direct voltage estimations at the engine terminals affirmed this hypothetical finding. Moreover, these estimations accept the improved concentrated parameter model of the framework for anticipating the overvoltage component. As a specialized arrangement, a low-pass LC channel was planned and introduced. Recreated and measured conduct concur extremely well.

## V. REFERENCE

- [1] Anna Philo Antony<sup>1</sup>, Dr. Sankaran R.,” Simulation of Performance of a Cage Induction Motor Driven Spooler Drive with Speed and Current Feedback using Field-Oriented Control” International Journal of Advanced Research in Electrical, Electronics and Instrumentation Engineering Vol. 3, Issue 3, March 2014 Copyright to IJAREEIE.
- [2] Sardis Azongha, Hui Li,” Modeling and simulation of the Dynamic Control of a Cascaded Multilevel Inverter Using Single DC Source for Induction Motor Drive Application” Sardis Summer Computer Simulation Conference 2007 (SCSC 2007) San Diego, California (USA), July 15-18, 2007.
- [3] David Wilson Freescale Field Applications Engineer Milwaukee, Wisconsin,” Get Your Motor Running" with the MC68HC708MP16”2004.
- [4]Charlie Anderson, Jarrod Knibbe, Benji Barash,” The Cage: Towards a 6-DoF Remote Control with Force Feedback for UAV Interaction” CHI 2015, Crossings, Seoul, Korea.
- [5] R Uthra, N Kalaiarasi, A Rathinam,” Neural Network Based Sensor Drift Compensation of Induction Motor” International Conference and Workshop on Emerging Trends in Technology (ICWET 2011) – TCET, Mumbai, India.
- [6] Troy McDaniel, Morris Goldberg, Shantanu Bala, Bijan Fakhri, Sethuraman Panchanathan Center for Cognitive Ubiquitous Computing,” Vibrotactile Feedback of Motor Performance Errors for Enhancing Motor Learning” MM’12, October 29–November 2, 2012, Nara, Japan.

- [7] Donald Grahame Holmes, Brendan Peter McGrath, Stewart Geoffrey Parker, "Current Regulation Strategies for Vector-Controlled Induction Motor Drives," IEEE Trans. Ind. Electron., vol. 59, no. 10, Oct. 2012.
- [8] S. Mohan Krishna, "Vector Controlled Induction Motor Drive with Constant DC-Link Voltage," International Journal of Electrical and Electronics Engineering Research, vol. 3, no. 1, pp. 221-230, Mar. 2013.
- [9] Ashutosh Mishra, and Prashant Choudhary, "Speed Control of an Induction Motor Using Indirect Vector Control Method," International Journal of Emerging Technology and Advanced Engineering, vol. 2, no. 12, pp. 144-150, Dec. 2012.
- [10] Laxmikant Vishwanath Bagale, Dr.V.A. Deodhar-Kulkarni, "Modeling and Simulation of Variable Frequency Speed Regulation Vector Control System of Induction Motor Based on Matlab," International Journal of Engineering and Innovative Technology, vol. 2, no. 7, pp. 160-163, Jan. 2013.

